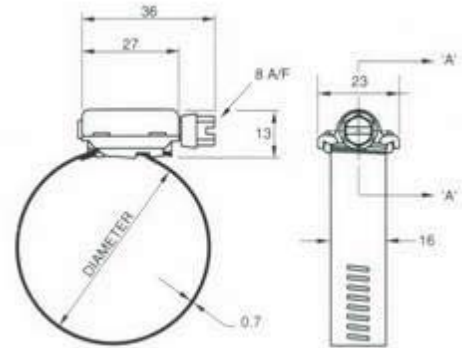




High Torque

For applications requiring extra high levels of tightening torque



All dimensions in mm

SECTION 'A'-'A'



- Twice the tightening torque of standard worm drive hose clips which creates more than twice the band tension for those stubborn leakage and high vibration applications.
- All stainless steel construction.
- Breaking torque of Jubilee high torque is comparable to conventional 'T' bolt clamp of equal size.
- Recommended tightening torque 17 Nm (150 lb in).
- Jubilee High Torque clips for applications that require extra high levels of tightening torque.
- They can be used on hose applications such as spiral wound wire reinforced suction hose.
- High Torque clips are appropriate in those heavy duty situations where the general British Standard product is not suitable.

Ask our Sales Department for further information.

MATERIAL SPECIFICATION

Stainless Steel

Band:	BS/AISI 304 A2
Housing:	BS/AISI 304 A2
Screw:	BS/AISI 410

Size No.	Working Diameter		Box Quantities
	mm	Inches	
35	20- 35	3/4 - 1 3/8	50
40	25- 40	1 - 1 5/8	50
45	25- 45	1 - 1 3/4	50
50	30- 50	1 1/4 - 2	50
70	40- 70	1 5/8 - 2 3/4	50
80	60- 80	2 3/8 - 3 1/8	50
95	70- 95	2 3/4 - 3 3/4	50
100	80-100	3 1/8 - 4	50
120	90-120	3 1/2 - 4 3/4	50
140	110-140	4 3/8 - 5 1/2	50
160	130-160	5 1/8 - 6 1/4	50
180	150-180	5 7/8 - 7	50
200	170-200	6 3/4 - 7 7/8	25
220	190-220	7 1/2 - 8 5/8	25
240	210-240	8 1/4 - 9 1/2	25
260	230-260	9 - 10 1/4	25
280	250-280	9 7/8 - 11	25
300	270-300	10 5/8 - 11 3/4	25
320	290-320	11 3/8 - 12 1/2	25
340	310-340	12 1/4 - 13 3/8	25
360	330-360	13 - 14 1/8	25
380	350-380	13 3/4 - 15	25
400	370-400	14 1/2 - 15 3/4	25
420	390-420	15 3/8 - 16 1/2	25
440	410-440	16 1/8 - 17 1/4	25
460	430-460	17 - 18 1/8	25
480	450-480	17 3/4 - 18 7/8	25
500	470-500	18 1/2 - 19 5/8	25



HIGH TORQUE AVAILABLE FROM:-

L Robinson & Co. (Gillingham) Ltd., Owens Way, Gads Hill, Gillingham, Kent, ME7 2RS, England.

Tel: +44 (0) 1634 281200 Fax: +44 (0) 1634 280101 Email: sales@jubileeclips.co.uk Website: www.jubileeclips.co.uk